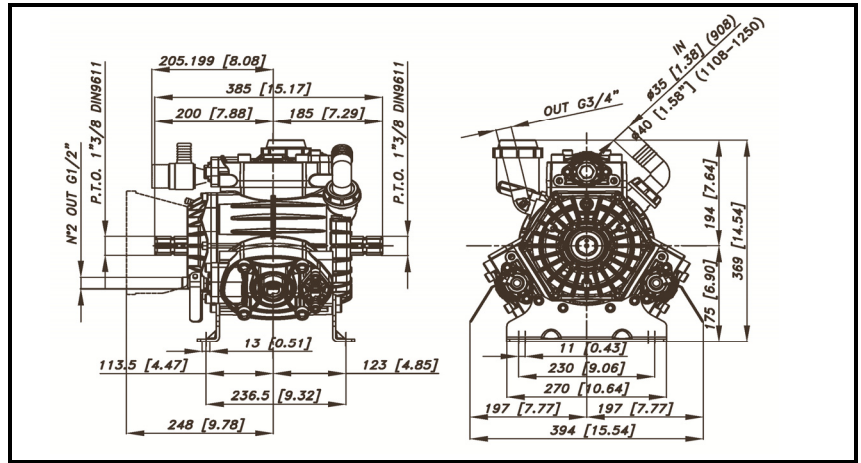
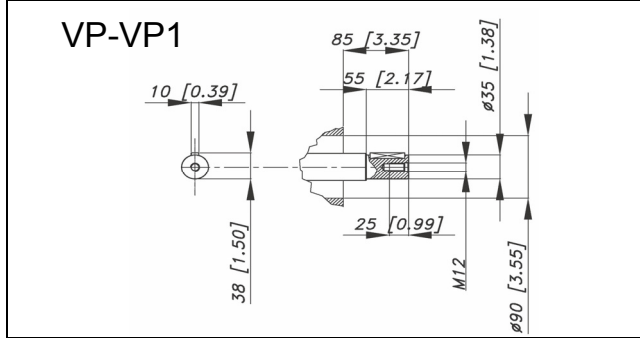
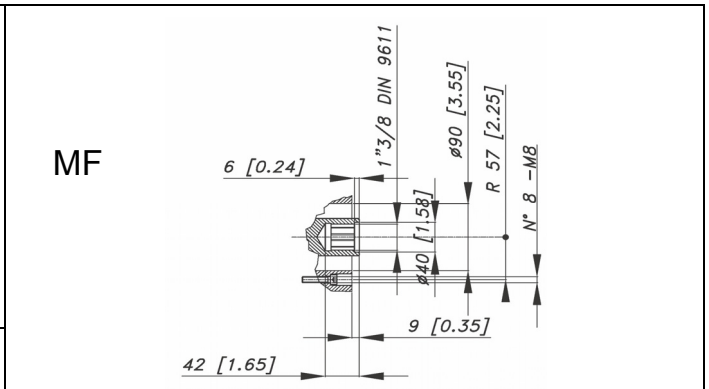
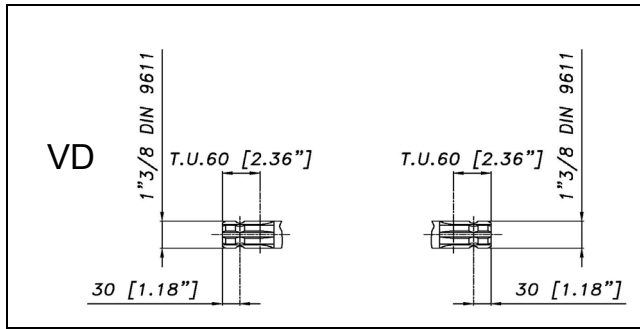


DIMENSIONI D'INGOMBRO - OVERALL DIMENSIONS



ALBERO POMPA - PUMP SHAFT



| COPPIA DI SERRAGGIO - TORQUE CHART | | | | | |
|------------------------------------|------|-----|-----|--------|--|
| CODICE - CODE | Q.TY | POS | N.m | Lbr.ft | |
| 86.3265.00.2 | 6 | 13 | 44 | 32.5 | |
| 86.2682.00.2 | 6 | 31 | 22 | 16.2 | |
| 86.2852.00.2 | 2 | 56 | 22 | 16.2 | |
| 41.9835.97.3 | 3 | 40 | 25 | 18.5 | |
| 86.2752.00.2 | 18 | 6 | 22 | 16.2 | |
| 86.3347.00.2 | 2 | 20 | 44 | 32.5 | |
| 86.3300.00.2 | 12 | 41 | 44 | 32.5 | |
| 86.4250.00.2 | 12 | 47 | 98 | 72.2 | |

Tolleranza di serraggio: 0/-10%
Tolerance on torque value: 0/-10%

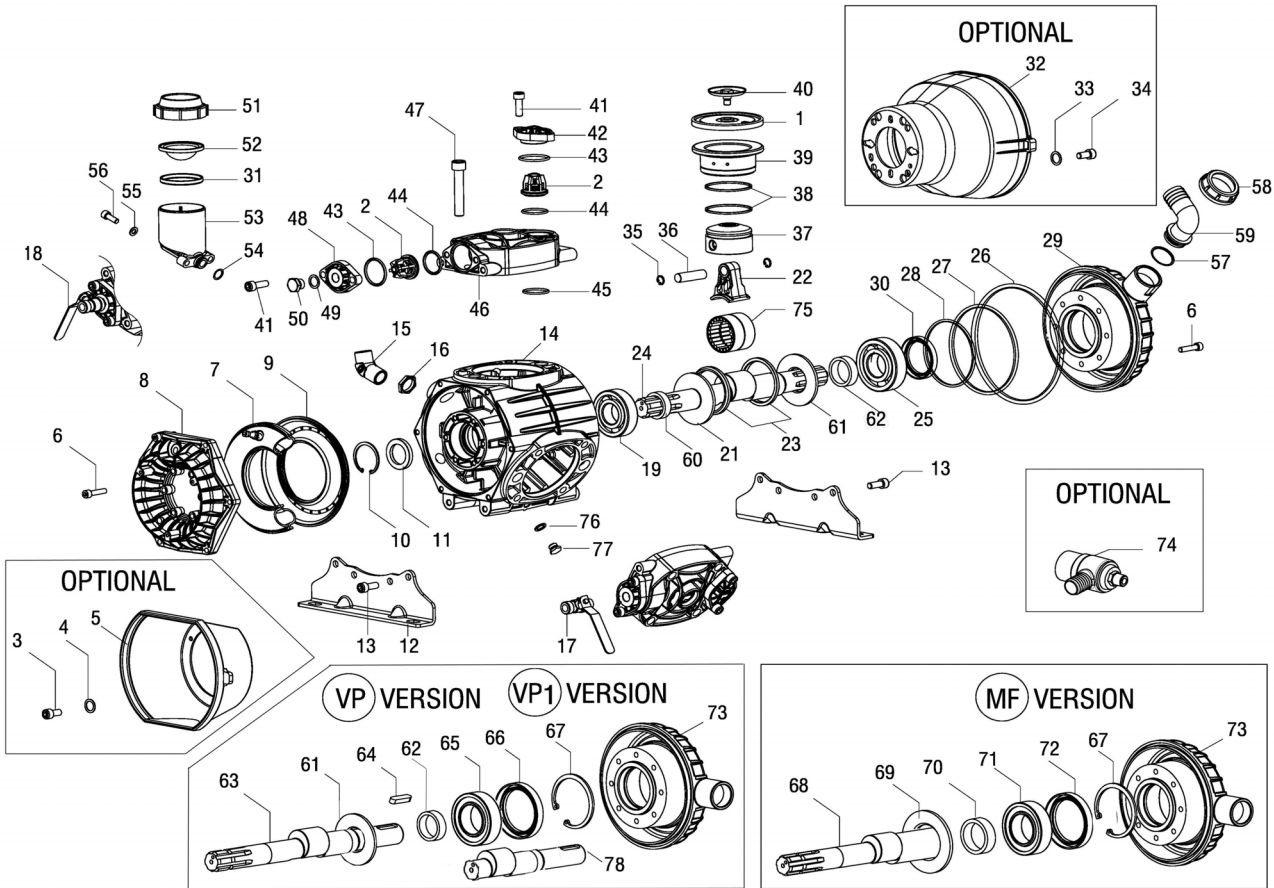
| INFORMAZIONI UTILI USEFUL INFORMATION | | | | |
|----------------------------------------------------------------------------------------------------------|-------|-------|---------|---------|
| LUBRIFICANTE- LUBRICANT: OLIO MOTORE O SEMIIDRAULICO SAE 30 MOTOR OIL OR SEMI-HYDRAULIC OIL SAE 30 | | | | |
| PRESSIONE ACCUMULATORE ACCUMULATOR PRESSURE | | | | |
| PRESSIONE DI LAVORO - OPERATING PRESSURE | 2 ÷ 5 | 5+10 | 10 ÷ 20 | 20 ÷ 50 |
| ACCUMULATORE PRESSURE | 2 | 2 ÷ 5 | 5 ÷ 7 | 6 ÷ 8 |

KIT MEMBRANE - DIAPHRAGMS KIT

| KIT | BUNA - N | | | DESMOPAN | | | VITON | | | | | PENTAX | | | | |
|------------------------------------------|--------------|---|----|--------------|---|----|--------------|---|----|----|----|--------------|----|---|---|----|
| | 1 | 7 | 45 | 1 | 7 | 45 | 1 | 7 | 26 | 27 | 43 | 44 | 59 | 1 | 7 | 45 |
| POSIZIONE ESPLOSO POSITION NUMBER | 37.9817.97.3 | | | 37.9818.97.3 | | | 37.9819.97.3 | | | | | 37.9820.97.3 | | | | |
| QUANTITA' NEL KIT QUANTITIES INCLUDED | 3 | 1 | 6 | 3 | 1 | 6 | 3 | 1 | 1 | 1 | 6 | 6 | 6 | 3 | 1 | 6 |

KIT POMPA/KIT VALVOLE - PUMP KIT/VALVES KIT

| KIT | KIT POMPA VD PUMP KIT VD | | | | | | | KIT POMPA VM PUMP KIT VM | | | | | | | KIT VALVOLE VALVE KIT | | | | |
|------------------------------------------|-----------------------------|----|----|----|----|----|----|-----------------------------|----|-------|----|----|----|----|--------------------------|----|---|----|----|
| | 11 | 30 | 45 | 26 | 27 | 28 | 43 | 44 | 11 | 66-72 | 45 | 26 | 27 | 28 | 43 | 44 | 2 | 43 | 44 |
| POSIZIONE ESPLOSO POSITION NUMBER | 35.9882.97.3 | | | | | | | 35.9883.97.3 | | | | | | | 35.9870.97.3 | | | | |
| QUANTITA' NEL KIT QUANTITIES INCLUDED | 1 | 1 | 6 | 1 | 1 | 1 | 6 | 6 | 1 | 1 | 6 | 1 | 1 | 1 | 6 | 6 | 6 | 6 | 6 |



| POS. | CODICE PART NO. REF. | DENOMINAZIONE - DESCRIPTION - DESCRIPTION | Q.TY | POS. | CODICE PART NO. REF. | DENOMINAZIONE - DESCRIPTION - DESCRIPTION | Q.TY |
|------|----------------------|-------------------------------------------|------|------|----------------------|-------------------------------------------|------|
| 1 | 95.0040.31.2 | BUNA-N PISTON DIAPHRAGM | 3 | 38 | 81.8527.00.2 | PISTON RING DIA.70 (PBO 1100) | 6 |
| 1 | 95.0040.33.2 | VITON PISTON DIAPHRAGM (OPTIONAL) | 3 | 38 | 81.8530.00.2 | PISTON RING DIA.72 (PBO 1250) | 6 |
| 1 | 95.0040.00.2 | DESMOPAN PISTON DIAPHRAGM (OPTIONAL) | 3 | 39 | 43.0015.01.2 | PISTON SLEEVE DIA.70 (PBO 1100) | 3 |
| 1 | 95.0040.36.2 | HPS PISTON DIAPHRAGM (OPTIONAL) | 3 | 39 | 48.0029.01.2 | PISTON SLEEVE DIA.72 (PBO 1250) | 3 |
| 2 | 35.9802.97.3 | VALVES ASSEMBLY | 6 | 40 | 41.9835.97.3 | KIT DISK + SCREW INOX | 3 |
| 3 | 86.1846.00.2 | SCREW M5,5x16 UNI 6954 (OPTIONAL) | 3 | 41 | 86.3300.00.2 | SCREW M10x30 UNI 5931 | 12 |
| 4 | 84.3560.00.2 | WASHER DIA. 5,5x15x1,6 (OPTIONAL) | 3 | 42 | 41.0109.09.2 | VALVE COVER | 3 |
| 5 | 31.1466.32.2 | PLAIN SAFETY CONE (OPTIONAL) | 1 | 43 | 80.3262.00.2 | O-RING DIA.3,53x41,28 | 6 |
| 6 | 86.2752.00.2 | SCREW M8x35 UNI 5931 | 18 | 43 | 80.3262.50.2 | O-RING DIA.3,53x41,28 (KIT VITON) | 6 |
| 7 | 41.0120.97.3 | NBR BALLASTER DIAPHRAGM | 1 | 44 | 80.3251.00.2 | O-RING DIA.3,53x32,93 | 6 |
| 7 | 41.0121.97.3 | VITON BALLASTER DIAPHRAGM (OPTIONAL) | 1 | 44 | 80.3251.50.2 | O-RING DIA.3,53x32,93 (KIT VITON) | 6 |
| 7 | 41.0122.97.3 | EPDM BALLASTER DIAPHRAGM (OPTIONAL) | 1 | 45 | 80.3200.00.2 | O-RING DIA.2,62x22,22 | 6 |
| 7 | 41.0123.97.3 | HPS BALLASTER DIAPHRAGM (OPTIONAL) | 1 | 45 | 80.3200.50.2 | O-RING DIA.2,62x22,22 (KIT VITON) | 6 |
| 8 | 37.0108.09.2 | BALLASTER COVER | 1 | 46 | 41.0111.09.2 | PUMP HEAD | 3 |
| 9 | 41.0104.09.2 | LOWER BALLASTER | 1 | 47 | 86.4250.00.2 | SCREW M14x70 UNI 5931 | 12 |
| 10 | 80.1369.00.2 | RING DIA.52 | 1 | 48 | 41.0110.09.2 | VALVE COVER G.3/8" | 3 |
| 11 | 80.2143.10.2 | OIL SEAL DIA.35x52x7 (VD-MF-VP) | 1 | 49 | 82.4107.00.2 | GASKET | 1 |
| 11 | 80.2099.60.2 | CAP D.52x7 (VP1) | 1 | 50 | 85.2579.00.2 | CAP G.3/8" | 1 |
| 12 | 37.0109.61.2 | MOUNTING RAIL | 2 | 51 | 28.0144.32.2 | OIL FILLER COVER | 1 |
| 13 | 86.3265.00.2 | SCREW M10x25 UNI 5931 | 8 | 52 | 41.0017.31.2 | OIL FILLER DIAPHRAGM | 1 |
| 14 | 37.0112.09.2 | CRANKCASE | 1 | 53 | 55.0004.32.2 | OIL FILLER | 1 |
| 15 | 81.4909.00.2 | BRASS G.3/4 NUT | 1 | 54 | 80.3180.00.2 | O-RING DIA. 2,62x15,08 | 1 |
| 16 | 83.5063.28.2 | 60° ELBOW CONNECTOR G.3/4 | 1 | 55 | 84.3685.50.2 | WASHER DIA.8,2X15X1,5 UNI 1750 | 2 |
| 17 | 84.5544.10.2 | LEFT TAP G.3/8-G.1/2 | 1 | 56 | 86.2682.50.2 | BOLT M8x25 UNI 5931 | 2 |
| 18 | 84.5544.00.2 | RIGHT TAP G.3/8-G.1/2 | 1 | 57 | 80.3219.10.2 | O-RING DIA. 3X30 | 1 |
| 19 | 81.2870.00.2 | ROLLER BEARING DIA.35X80X21 | 1 | 58 | 82.0070.00.2 | WING NUT G.1"1/2 | 1 |
| 21 | 41.0153.61.2 | SHAFT RING | 1 | 59 | 84.0591.00.2 | 90° ELBOW CONNECTOR DIA.40-1,57" | 1 |
| 22 | 41.0165.09.2 | BIELLA SINGOLA | 3 | 60 | 41.0156.76.2 | SHAFT SPACER DIA.35 | 1 |
| 23 | 14.0015.76.2 | CONROD HOLDING RING | 2 | 61 | 41.0154.61.2 | SHAFT RING DIA.40 | 1 |
| 24 | 41.0150.26.2 | "VD" CRANKSHAFT (1"3/8" M-M) | 1 | 62 | 41.0157.76.2 | SHAFT SPACER DIA.40 | 1 |
| 25 | 81.2913.00.2 | BALL BEARING DIA. 40X90X23 | 1 | 63 | 41.0152.26.2 | "VP" CRANKSHAFT (SOLID SHAFT DIA.35) | 1 |
| 26 | 80.3295.00.2 | O-RING DIA. 3,53x190,1 | 1 | 64 | 80.6580.00.2 | KEY 10X8X50 UNI 6604 | 1 |
| 26 | 80.3295.50.2 | O-RING DIA.3,53x190,1 (KIT VITON) | 1 | 65 | 81.2912.00.2 | ROLLER BEARING DIA.40X90X23 | 1 |
| 27 | 80.3210.70.2 | O-RING DIA. 2,62x126,67 | 1 | 66 | 80.2189.70.2 | OIL SEAL DIA.40X80X8 | 1 |
| 27 | 80.3210.75.2 | O-RING DIA. 2,62x126,67 (KIT VITON) | 1 | 67 | 80.1428.00.2 | SNAP RING DIA.80 UNI 7437 | 1 |
| 28 | 80.3291.00.2 | O-RING DIA. 3,53x88,5 | 1 | 68 | 41.0151.26.2 | "MF" CRANKSHAFT (1"3/8" M-F) | 1 |
| 29 | 41.0112.09.2 | INLET COVER "VD" | 1 | 69 | 41.0155.61.2 | SHAFT RING DIA.50 "MF" | 1 |
| 30 | 80.2190.00.2 | OIL SEAL DIA.40x72x10 | 1 | 70 | 41.0158.76.2 | SHAFT SPACER DIA.50 "MF" | 1 |
| 31 | 14.0116.32.2 | DIAPHRAGM SPACER | 1 | 71 | 81.2970.00.2 | ROLLER BEARING DIA.50X90X23 | 1 |
| 32 | 31.1482.32.2 | PLAIN SAFETY CONE L.180 (OPTIONAL) | 1 | 72 | 80.2235.00.2 | OIL SEAL DIA.50X80X10 | 1 |
| 32 | 31.1468.32.2 | PLAIN SAFETY CONE L.135 (OPTIONAL) | 1 | 73 | 41.0116.09.2 | INLET COVER "VP-MF" | 1 |
| 33 | 84.3801.00.2 | WASHER DIA. 10,5x18x2 (OPTIONAL) | 4 | 74 | 24.3050.97.3 | SAFETY VALVE 50 BAR (OPTIONAL) | 1 |
| 34 | 86.3187.00.2 | SCREW M10x18 UNI 5931 (OPTIONAL) | 4 | 75 | 81.2950.00.2 | NEEDLE ROLLER BEARING | 2 |
| 35 | 80.0021.00.2 | RING DIA. 15 | 6 | 76 | 82.4079.00.2 | WASHER DIA.13 | 1 |
| 36 | 85.2007.00.2 | PISTON PIN DIA.15x24 | 3 | 77 | 85.2543.50.2 | CAP G.1/4" | 1 |
| 37 | 37.0016.09.2 | PISTON DIA.70 (PBO 1100) | 3 | 78 | 41.0169.26.2 | "VP1" CRANKSHAFT (SOLID SHAFT DIA.35) | 1 |
| 37 | 48.0028.09.2 | PISTON DIA.72 (PBO 1250) | 3 | | | | |